

Figure 32 - F/EG compressor with copper tubes

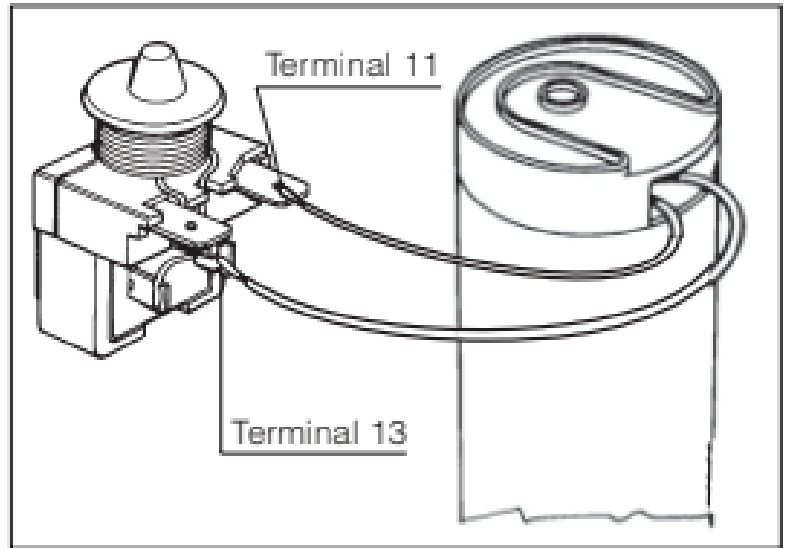


Figure 38 - Short relay with capacitor

**SM08 - F COMPRESSORS**

**F/EG/PW Compressor - CSIR/RSIR**

